

TANNING
essentials®

SIMPLE TANNING SYSTEMS *built purposely for a perfect spray tan.*

STUDIO - TRAINING MANUAL

studio



WELCOME

Thank you for choosing the Tanning Essentials Studio Spray Tan System. Please read the following to help assist you with the set up and maintenance of your spray tan unit.

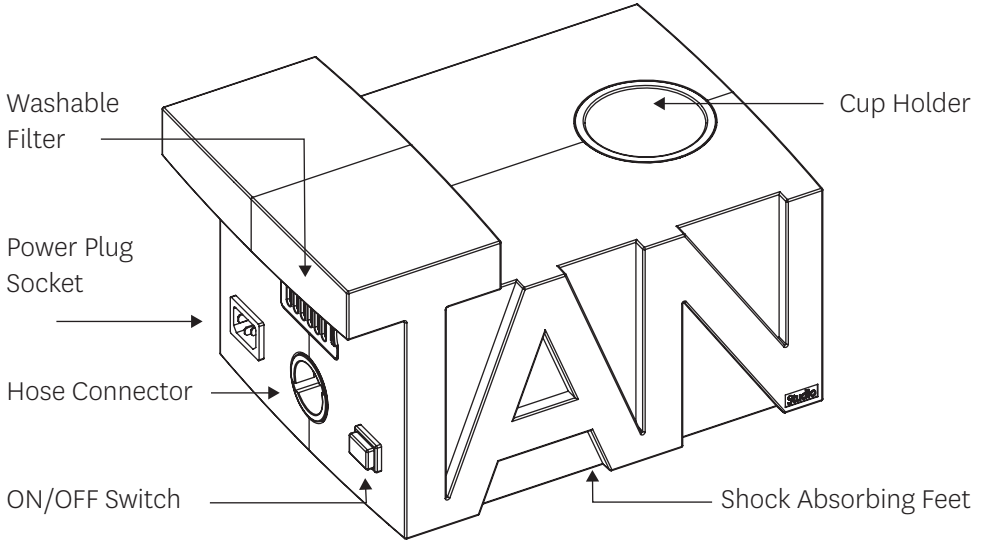
QUICK SET UP GUIDE

The Tanning Essentials Studio Spray Tan System contains:

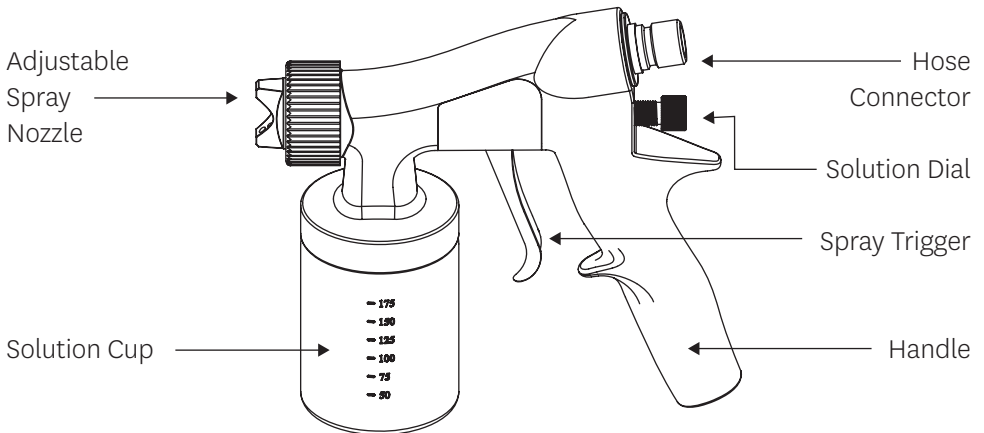
- | | | | |
|---|--|---|-----------------------|
| 1 | 1 x Studio Spray System | 3 | 1 x Studio Spray Hose |
| 2 | 1 x Studio Spray Applicator
1 x Manual (not pictured) | 4 | 1 x Power Cord |



SPRAY SYSTEM



SPRAY APPLICATOR



SPRAY APPLICATOR



STEP 1

Unscrew the solution cup and fill $\frac{3}{4}$ full. Overfilling the solution cup may cause leaks.



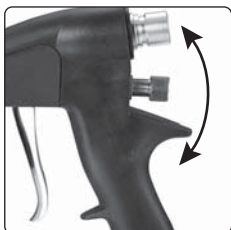
STEP 2

Insert solution cup and screw tightly.



STEP 3

Set nozzle by unscrewing the nozzle bezel, turning the nozzle to correct position and tightening the bezel to hold the nozzle in place. Set the nozzle in vertical position for up and down spraying and horizontal position for left and right spraying.



STEP 4

Adjust solution dial on the back of the applicator, below the hose connector, to choose the amount/flow of solution you would like to dispense. Start with a small amount of spray and increase by winding out the dial until the desired result reached.



STEP 5

Attach hose - pull back the quick connector on the hose and insert the fitting located on the back of the gun. Release the quick connector fitting and check the hose is firmly connected.

SPRAY UNIT



STEP 1

Attach hose to unit. Insert hose fitting into unit and turn Anti-clockwise until firm. This connection is similar to a light bulb connection and avoid over tightening as this may result in broken components.



STEP 2

Attach Power cord and turn power on at the wall switch.



STEP 3

Turn on your unit by pressing the on/off button. The unit is pre-set at optimal speed, therefore no extra controls are required.

SPRAY APPLICATOR MAINTENANCE GUIDE

- STEP 1** Remove hose.
- STEP 2** Unscrew solution cup and empty any excess solution. It is recommended that this be done over a sink or a wet area.
- STEP 3** Rinse the empty solution cup with warm water.
- STEP 4** Refill the cup with warm water and screw back into the applicator and spray until the water runs clear. Wind out the solution dial to allow for maximum water spraying while cleaning. Rinse and repeat if required.
- STEP 5** Empty solution cup and re-set the solution dial on the back of the gun to the regular spray setting.
- STEP 6** Wipe any excess water from the applicator with a cloth and leave out to dry.

SPRAY UNIT MAINTENANCE GUIDE

- STEP 1** Clean the spray unit with a cloth. Avoid using anything abrasive. Windex are useful products for maintaining the finish of your spray unit.
- STEP 2** Clean the filter. Remove the filter from the side of the unit and rinse in warm water. Wait until filter is completely dry before re-fitting. Positioning the spray unit behind the spray technician when in use will ensure the unit stays cleaner for longer.

TROUBLE SHOOTING

If you are experiencing problems with this unit, in the first instance please carefully read the relevant sections of the User Manual and the Troubleshooting section below. If you cannot solve your problem please contact your supplier for further assistance.

PROBLEM	CAUSE	WHAT TO DO
My solution is bubbling from the cup	Seal is not in properly	Fit the gun seal correctly.
	Solution Cup is not screwed in correctly	Unscrew and reattach the cup.
	The cup is cross-threaded	Unscrew and reattach the cup.
	Solution cup is overfilled	Empty some solution from the cup
The air flow is cutting in an out	The filter is dirty	Remove the filter from the side of the unit and rinse in warm water. Wait until filter is completely dry before refitting.
The Spray Unit will not turn on	Power cord not attached	Ensure that the power cord is pushed in firmly to the base of the unit and wall socket
	Electricity not turned on	Ensure that the power point is on
The spray applicator is leaking	Spray Cup is not tight enough	Tighten the solution cup
	Too much solution	Empty some solution from the spray cup
	Nozzle may be blocked	Spray warm water through the applicator
	Applicator is angled too sharply while spraying	Keep the applicator on a lesser angle while spraying.

TROUBLE SHOOTING

PROBLEM	CAUSE	WHAT TO DO
The spray is spluttering	Solution in cup low	Add solution to the cup
	Nozzle may be blocked	Spray warm water through the applicator
	Air pressure is low	Clean filter in machine
No solution is coming out of the spray applicator	Nozzle may be blocked	Spray warm water through the applicator
	Solution in cup too low	Add solution to the cup
	Trigger is jamming	Spray warm water through the applicator while the Solution Dial is set at maximum and pull the trigger repeatedly until it frees
	Solution Dial on applicator set too low	Wind out solution dial on applicator number 1 being the lowest and Number 6 being the highest setting
Hose coming out of unit	Hose not correctly fitted to unit	Ensure the fitting is inserted and turned to lock
	Hose fitting broken from over tightening	Contact your supplier or service agent

WARRANTY INFORMATION

IMPORTANT

Please keep your proof of Purchase and User Manual in a safe place as you will require these to make a warranty claim. Prior to making a claim you should read through the trouble shooting section in the manual and contact your supplier. All warranty claims should be made directly to your supplier.

If within one (1) year from the date of purchase, the product fails due to a defect in material or workmanship, we will repair if possible or replace it free of charge with a comparable unit which may be new or refurbished. This warranty applies only to the original purchaser and is not transferable. The goods must be returned to the seller with proof of purchase to be assessed at the purchasers cost.

Warranties shall not apply to any defect, failure or damage caused by improper use or improper or inadequate maintenance and care. The manufacturer shall not be obligated under these warranties:

- a) to repair damage resulting from attempts by personnel other than authorised representatives to install, repair or service the product;
- b) to repair damage, malfunction, or degradation of performance resulting from improper use or incompatible solution;
- c) to perform maintenance or cleaning or to repair damage, malfunction, or degradation of performance resulting from failure to perform user maintenance and cleaning as prescribed;
- d) to repair damage, malfunction, or degradation of performance resulting from use of the product in an environment not meeting the operating specifications,

To activate your warranty, please complete the information and post to Tanning Essentials within 14 days of purchase.

SAFETY INFORMATION

The Tanning Essentials Studio Spray Tan System is designed and built to the highest standards. This system must be used with professional spray tan solution, kept away from water, be connected to the correct power supply at all times and must not be operated by children.

Please note the details of your model here:

MODEL NAME:

SERIAL NUMBER:

DATE OF PURCHASE:

SUPPLIER NAME:



The Tanning Essentials Studio Spray Tan System is made in China



WARRANTY CARD

MODEL TYPE:

SERIAL NUMBER:

SUPPLIER NAME:

DATE OF PURCHASE:

NAME:

ADDRESS:

SUBURB:

POST CODE:

STATE:

COUNTRY:

EMAIL:

PHONE:

BUSINESS TYPE

BEAUTY

TANNING

HAIR

MOBILE

HOME

To submit your warranty online, please visit www.tanningessentials.co and select the warranty link. Please include proof of purchase.

TANNING
essentials®

OUR DETAILS

ADDRESS:

10 Apex Court, Thomastown, VIC. 3074 Australia

PHONE:

1300 877 677 (within Australia)

INTERNATIONAL PHONE:

+613 9463 8900

EMAIL:

sales@tanningessentials.co

WEB:

www.tanningessentials.co

 Find us on
Facebook

www.facebook.com/tanningessentials

 **You Tube**

www.youtube.com/user/TanningEssentials

AUSTRALIA | CHINA | UNITED KINGDOM | USA

www.tanningessentials.co



TANNING
essentials®

AFFIX
POSTAGE
STAMP
HERE

Tanning Essentials

10 Apex Court,
Thomastown, VIC. 3074
Australia